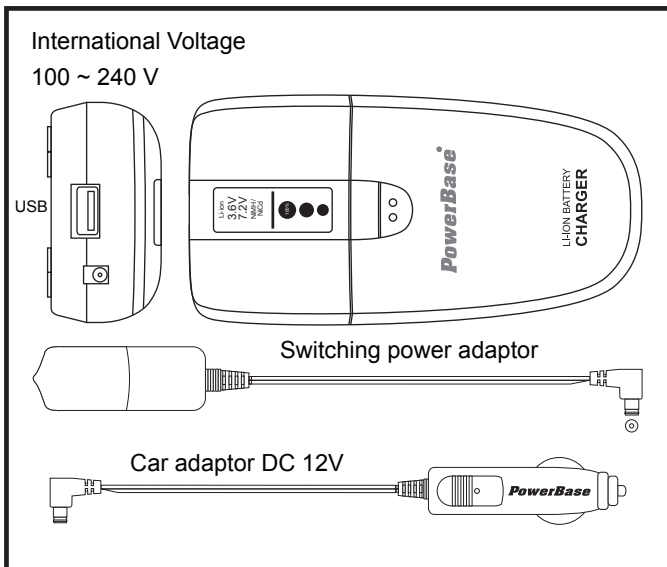


USER MANUAL

Congratulations on your purchase of the outstanding 3.6V/7.2V Li-ion & NiMH Battery Charger C-735U. This manual will help you understand how to operate this Charger and Batteries properly.

FEATURES OF C-735U Li-ion & NiMH BATTERY CHARGER

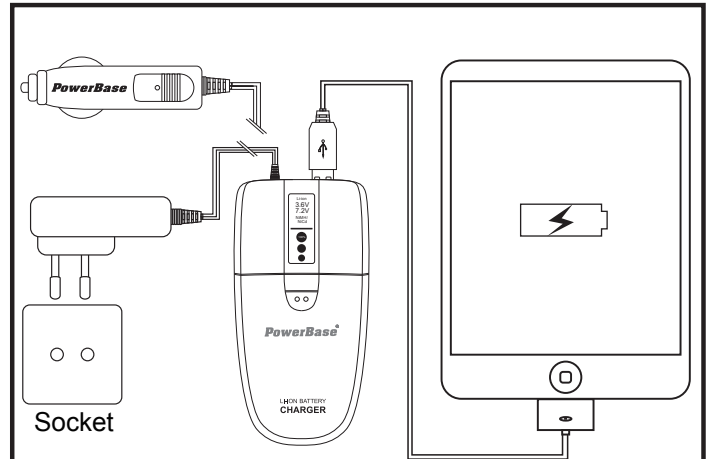
- Compatible with most 3.6V - 3.7V or 7.2V - 7.4V Li-ion Batteries, like digital camera, mobile phone etc
- Either 2AA/AAA size NiMH batteries can be charged
- USB port to charge iPhone, iPad, iPod series & mobile phones etc with AC adaptor connection
- Auto voltage switching 100-240V
- Automatically +/- polarity detection
- Easy adjustable slide contact
- Auto cut off device & Timer protection
- Auto identify 3.6V/7.2V Li-ion and NiMH Batteries
- LCD automatically displays battery type, voltage and charge status
- Adopt non-continuum pulse charging current to avoid memory effect. It enhances the charging efficiency and reduce the temperature of the batteries. The batteries will have better performance and longer cycle life
- Can be used in indoor by switching power adaptor or outdoor by car adaptor DC 12V
- Trickle maintain functions for NiMH & NiCd rechargeable batteries



SPECIFICATION

Input Voltage	Switching Power Adaptor AC 100~240V, 50~60Hz (UL, VDE, BS, SAA plugs)
Charge Capability	Li-ion Rechargeable Battery : 3.6V - 3.7V (DC 4.2V : 700mA) 7.2V - 7.4V (DC 8.4V : 700mA) NiMH Battery : 2xAA 2.8V , 2xAAA 2.8V (DC 2.8V : 700mA) USB output : DC 5V, 1000mA
Car Adaptor	12V / DC, 2A fuse, (Optional Accessory)
Termination Method	Li-ion Rechargeable Battery : Auto Voltage Monitor NiMH Battery : Minus Delta (-ΔV)

USB OUTPUT OPERATION



1. Connect the charger to the
- AC power adaptor, or
- Car adaptor
2. Connect the electronics devices to the charger through a USB cable by plugging the cable into "Output" outlet.
The charging will start automatically.
3. After fully charged the selected devices, unplug the charger from the adaptor, and disconnect the electronics devices from the charger.

CAUTION

Charging abnormal Li-ion battery will damage the charger and even cause an un-safety problem of this action.

1. Do not charge Ni-MH & Ni-Cd rechargeable batteries at the same time.
2. This product is designed for Li-ion rechargeable batteries and NiMH batteries only. To avoid personal injury and damage, do not charge any primary alkaline, zinc chloride, or zinc carbon type batteries.
3. Do not expose the charger to rain or moisture.
4. Do not operate the charger using an extension cord.
5. Do not use the charger if it has received a sharp blow, been dropped, or damaged in anyhow.
6. To reduce risk of shock, disconnect the power adaptor from outlet before attempting any cleaning of the charger.
7. Do not charge a leaking, corroded or dead battery.
8. Do not attempt to repair charger by yourself. When service or repair is required, contact qualified service personnel.
9. Do not try to disassemble the charger.
10. Always disconnect the charger from the mains when not in use.
11. Store the charger in a cool and dry place when not in use. Keep away from children.

PLEASE NOTE:

*PowerBase Industrial (HK) Ltd. will not be responsible for any personal loss and/or injury if the defect was caused by misuse or mishandling by the user in any way.

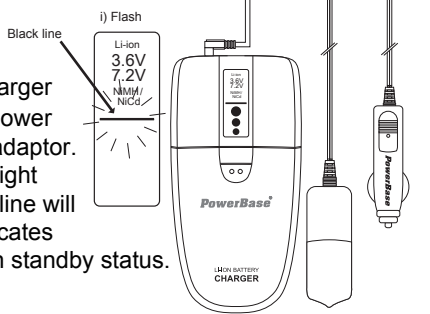
The dimensions of the Li-ion batteries have the limitation as follows:

- The width of the Li-ion battery cannot be in excess of 4cm.
- The distance between 2 pins of the Li-ion battery must be more than 3mm.

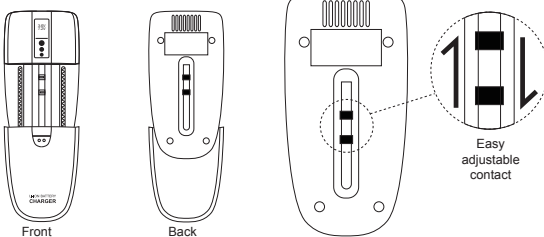
CHARGER OPERATION

Standby

- 1) Connect the charger with switching power adaptor or car adaptor. Blue LCD backlight turns on. Black line will flash which indicates the charger is in standby status.



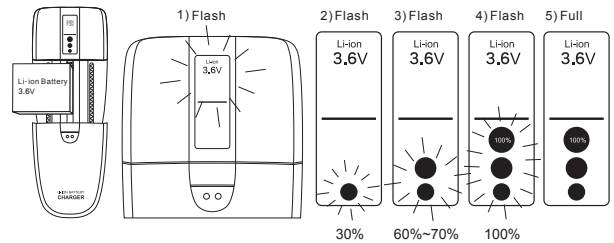
Adjust (+) (-) contact



- 2) Adjust the 2 pins of the charger to correct positions. Make sure the +/- plates of Li-ion battery can be contacted properly. To start charging, insert Li-ion or NiMH AA/AAA batteries into the charger and adjust the charger cover to fix the batteries.

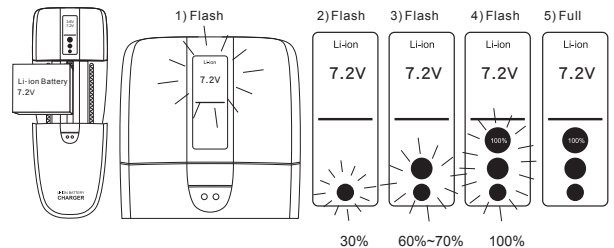
Remark: In order to have the maximum charge performance and stability, please do not charge the electronics devices through the USB port and the batteries in the compartment at the same time.

Charge 3.6V Li-ion battery



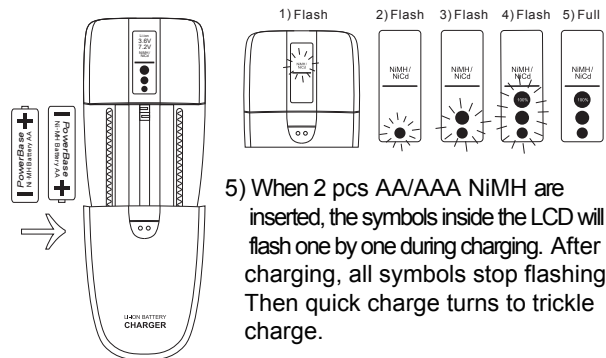
- 3) When 3.6V Li-ion battery is inserted, the symbols inside the LCD will flash one by one during charging. After charging, all symbols stop flashing.

Charge 7.2V Li-ion battery



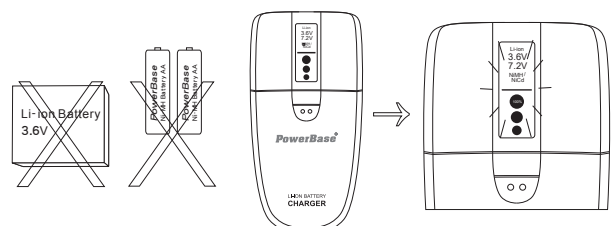
- 4) When 7.2V Li-ion battery is inserted, the symbols inside the LCD will flash one by one during charging. After charging, all symbols stop flashing.

Charge 2AA or AAA batteries



- 5) When 2 pcs AA/AAA NiMH are inserted, the symbols inside the LCD will flash one by one during charging. After charging, all symbols stop flashing. Then quick charge turns to trickle charge.

Li-ion or NiMH battery does not work



- 6) All symbols inside the LCD will flash at the same time if defective battery is detected. Charging is not allowed.