

## USER MANUAL

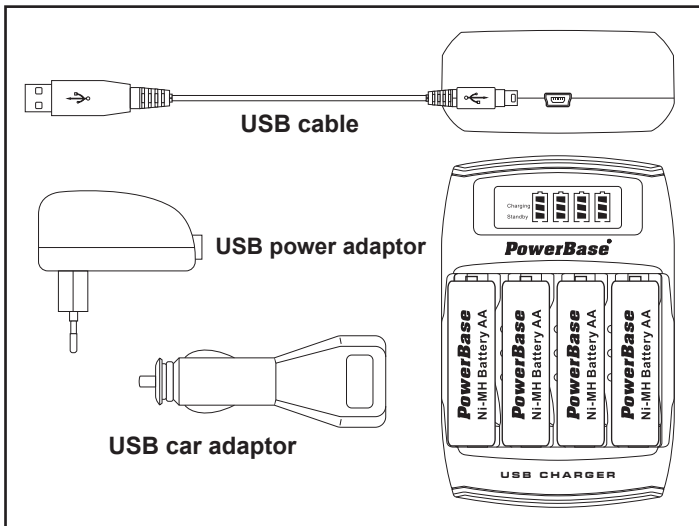
Congratulation on your purchase of the outstanding PowerBase LCD Switching Rapid Charger C-432. This manual will help you understand how to operate this Charger and Batteries properly.

### FEATURES OF C-432 RAPID CHARGER

- Either 2 or 4 AA / AAA size Ni-MH batteries can be charged
- LCD display charging and complete states
- Trickle pre-charge and trickle maintain functions
- Adopt non-continuum pulse charging current to avoid memory effect. It enhances the charging efficiency and reduce the temperature of the batteries. The batteries will have better performance and longer cycle life
- Can be used in indoor by USB power adaptor or outdoor USB car adaptor
- Possess reverse polarity protection

\*C-432 Charger has 4 individual charging channels. Both of AA and AAA can be charged at the same time. Please refer to the combination below;

### Two Individual Channel



### CAUTION

1. Do NOT recharge Ni-Mh & Ni-Cd rechargeable batteries at the same time.
2. This product is designed for Ni-Mh/Ni-Cd rechargeable batteries only. To avoid personal injury and damage, do not charge any primary alkaline, zinc chloride, or zinc carbon type batteries.
3. Do not expose the charger to rain or moisture.
4. Do not operate the charger using an extension cord.
5. Do not use the charger if it has received a sharp blow, been dropped, Or damaged in anyhow.
6. To reduce risk of shock, disconnect the power adaptor from outlet before attempting any cleaning of the charger.
7. Do not charge a leaking, corroded or dead battery.
8. Do not attempt to repair charger by yourself. When service or repair is required, contact qualified service personnel.
9. Do not try to disassemble the charger.
10. Always disconnect the charger from the mains when not in use.
11. Store the charger in a cool and dry place when not in use. Keep away from children.

### PLEASE NOTE:

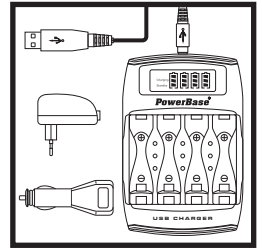
\*PowerBase Industrial (HK) Ltd. will not be responsible for any personal loss and/or injury if the defect was caused by misuse or mishandling by the user in any way.

\*\*USB Power Adaptor & USB Car Adaptor can only be used for C-432, not directly used for mobile phone or ipod.

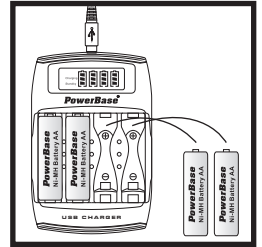
### CHARGER OPERATION

1. Connect the USB cable to:

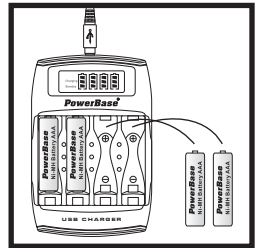
- Desktop or notebook computer
- USB power adaptor
- USB car adaptor



2. Either 2 or 4 AA size batteries can be charged at the same time.

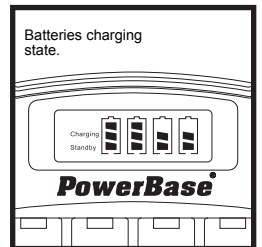


3. Either 2 or 4 AAA size batteries can be charged at the same time.



4. When the battery is correctly inserted, the LCD will indicate each channel of battery either in charging process or fully charged.

After fully charged, the charger will go to trickle charge maintain state.



### SPECIFICATION of C-432 charger

Input Voltage	USB, DC 5V, 500mAh
	USB Power Adaptor AC 100-240V (UL, VDE, BS, SAA plugs)
	USB Car Adaptor DC, 12V
Battery Type / Size	Ni-MH AA & AAA Batteries
Charging Current	2 x AA 2.8V = 500mA 4 x AA 5.6V = 250mA
	2 x AAA 2.8V = 250mA 4 x AAA 5.6V = 125mA
Charging Mode	Pulse charging current
Termination Method	Minus Delta V (-ΔV)
Trickle Charge	Continuous 10mA ~ 20mA
Timmer Protection	5.5 hrs.
Operation Temperature	-10°C ~ 40°C