

## Battery Charger Series

# PowerBase

www.powerbasehk.com

PowerBase Industrial (HK) Ltd.

ROOM 503, TOWER A, NEW MANDARIN PLAZA,  
14 SCIENCE MUSEUM ROAD, TST EAST,  
KOWLOON, HONG KONG

Tel : (852) 2773 9909, 2773 9939  
Fax : (852) 2773 9992  
E-mail : info@powerbasehk.com

Designation : **Powerful Ni-MH & Ni-Cd Battery Standard Charger**

Model No. : **C-207 (VDE, Black)**

<b>Charge Capability</b>	2 or 4 AA / AAA NiMH/NiCd Batteries
<b>Input Voltage</b>	AC 230V / 50 Hz
<b>Charge Current</b>	4 x AA , 130mA 4 x AAA , 130mA
<b>Pin Type</b>	VDE Plug
<b>Features</b>	LED indicate in charging state



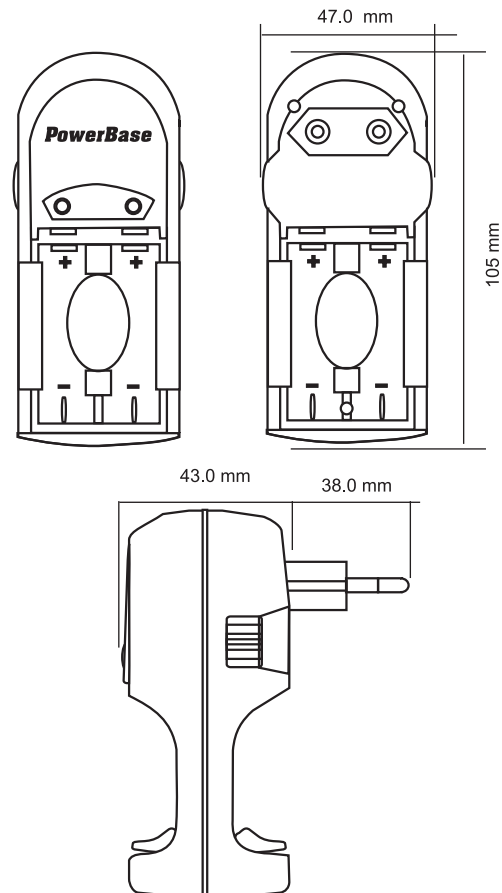
**Charger Dimension :**

<b>Approximate Dimension</b>	105mm (L) x 47mm (W) x 81 mm (H)
<b>Approximate Weight</b>	Charger : 106 g (without battery)
<b>Housing</b>	ABS (Black colour)

**Battery Charge Time :**

Chemistry & Size	Battery Capacity	*Charging Time (Approximate)
Ni-MH AA	2500 mAh	20 hours
Ni-MH AA	2300 mAh	18 hours
Ni-MH AA	1800 mAh	14 hours
Ni-MH AAA	800 mAh	6 hours
Ni-Cd AA	900 mAh	7 hours
Ni-Cd AA	700 mAh	5 hours
Ni-Cd AAA	300 mAh	2.5 hours

\* The charging time is only for generally reference. The detail of battery capacity of charging time request. Please see the PowerBase battery specification and contact PowerBase for the latest information.



**Individual Data sheet**

This specifications is only for generally reference, about the cells and batteries performance, warranty, modification/designs. Please contact PowerBase for the latest information.

**PowerBase®**