

Battery Charger Series

PowerBase

www.powerbasehk.com

PowerBase Industrial (HK) Ltd.

ROOM 503, TOWER A, NEW MANDARIN PLAZA,
14 SCIENCE MUSEUM ROAD, TST EAST,
KOWLOON, HONG KONG

Tel : (852) 2773 9909, 2773 9939
Fax : (852) 2773 9992
E-mail : info@powerbasehk.com

Designation : **Powerful Ni-MH & Ni-Cd Battery Standard Charger**

Model No. : **C-206 (VDE, Black)**

Charge Capability	2 AA / AAA NiMH/NiCd Batteries
Input Voltage	AC 230V / 50 Hz
Charge Current	"AA" 2.8V, 130mA "AAA" 2.8V, 130mA
Pin Type	VDE Plug
Features	LED indicate in charging state



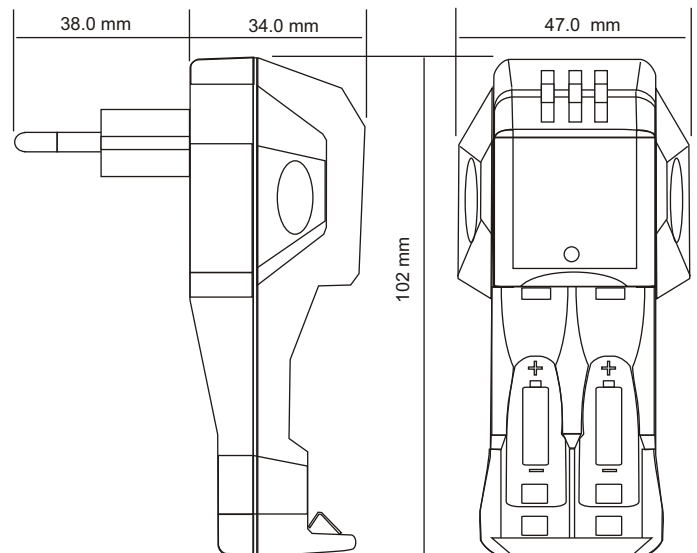
Charger Dimension :

Approximate Dimension	102mm (L) x 47mm (W) x 72 mm (H)
Approximate Weight	Charger : 104 g (without battery)
Housing	ABS (Black colour)

Battery Charge Time :

Chemistry & Size	Battery Capacity	*Charging Time (Approximate)
Ni-MH AA	2500 mAh	20 hours
Ni-MH AA	2300 mAh	18 hours
Ni-MH AA	1800 mAh	14 hours
Ni-MH AAA	800 mAh	6 hours
Ni-Cd AA	900 mAh	7 hours
Ni-Cd AA	700 mAh	5 hours
Ni-Cd AAA	300 mAh	2.5 hours

* The charging time is only for generally reference. The detail of battery capacity of charging time request. Please see the PowerBase battery specification and contact PowerBase for the latest information.



Individual Data sheet

This specifications is only for generally reference, about the cells and batteries performance, warranty, modification/designs. Please contact PowerBase for the latest information.

PowerBase