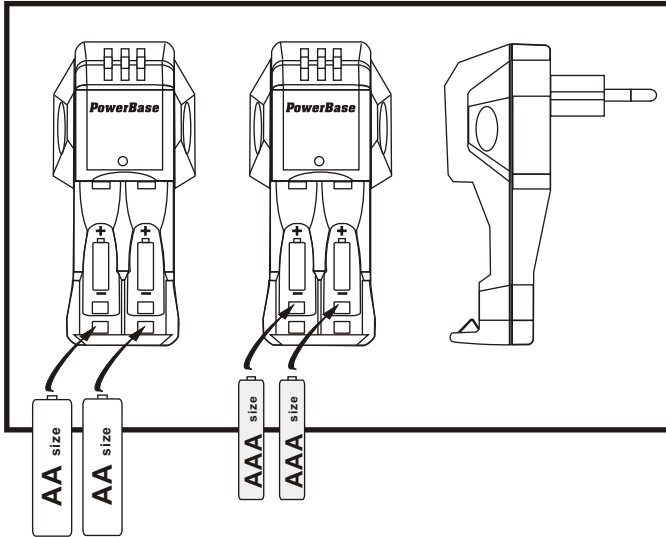


**USER MANUAL**

**Instructions for Use**

- 1) Place 2 AA or 2 AAA size batteries into the battery compartment. Batteries must be inserted properly for good electrical contact and correct polarity direction.
- 2) Plug the charger into the wall AC outlet. The red LED indicator light will glow to indicate a normal charging mode.
- 3) For each charging period of 18-20 hours is completed, disconnected the charger from the mains and remove the batteries.
- 4) Do not overcharge the batteries beyond the recommended charging time (20 hours), otherwise it will shorten the lifespan of the batteries.

**For 2 AA or 2 AAA batteries**



- NOTE : 1) Never put Ni-MH and Ni-Cd batteries together in the PowerBase Charger.  
 2) For initial use, the batteries may require 2~3 cycles to obtain their maximum capacity.

**Battery Charge Time :**

Chemistry & Size	Battery Capacity	*Charging Time (Approximate)
Ni-MH AA	2500 mAh	20 hours
Ni-MH AA	2300 mAh	18 hours
Ni-MH AAA	800 mAh	6 hours
Ni-Cd AA	900 mAh	7 hours
Ni-Cd AA	700 mAh	5.5 hours
Ni-Cd AAA	300 mAh	2.5 hours

\* The charging time is only for general reference. For detail of different charging time require, please see the PowerBase battery specification and contact PowerBase for the latest information.

**CAUTION**

- 1) Before using this charger, read all instructions and cautionary markings in this manual.
- 2) This charger is for indoor use only. Do not expose the charger to rain, snow or moisture.
- 3) Do not use an extension cord.
- 4) Do not use the charger if it has received a sharp blow, been dropped or damaged in any way.
- 5) Always disconnect the charger from wall outlet if attempting to clean or inspect the charger or batteries.
- 6) Do not try to disassemble the charger, take it to a qualified serviceman when service or repair is required. Incorrect reassembly may result in a risk of electric shock or fire.
- 7) Do not charge leaking, corroded or dead batteries.
- 8) Store the charger and batteries in a cool dry place when not in use. This charger is not intended for young children or infant.
- 9) Do not disassemble the batteries, short circuit or dispose of in fire.

**PLEASE NOTE:**

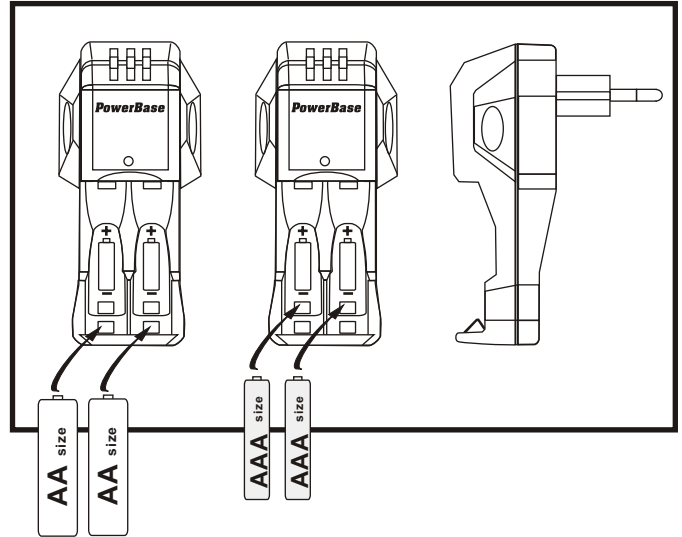
\*PowerBase Industrial (HK) Ltd. will not be responsible for any personnel loss and/or injury if the defect was caused by misuse or mishandling by the user in any way.  
 Recommended charging temperature is between 15 - 40 degree C.

**USER MANUAL**

**Instructions for Use**

- 1) Place 2 AA or 2 AAA size batteries into the battery compartment. Batteries must be inserted properly for good electrical contact and correct polarity direction.
- 2) Plug the charger into the wall AC outlet. The red LED indicator light will glow to indicate a normal charging mode.
- 3) For each charging period of 18-20 hours is completed, disconnected the charger from the mains and remove the batteries.
- 4) Do not overcharge the batteries beyond the recommended charging time (20 hours), otherwise it will shorten the lifespan of the batteries.

**For 2 AA or 2 AAA batteries**



- NOTE : 1) Never put Ni-MH and Ni-Cd batteries together in the PowerBase Charger.  
 2) For initial use, the batteries may require 2~3 cycles to obtain their maximum capacity.

**Battery Charge Time :**

Chemistry & Size	Battery Capacity	*Charging Time (Approximate)
Ni-MH AA	2500 mAh	20 hours
Ni-MH AA	2300 mAh	18 hours
Ni-MH AAA	800 mAh	6 hours
Ni-Cd AA	900 mAh	7 hours
Ni-Cd AA	700 mAh	5.5 hours
Ni-Cd AAA	300 mAh	2.5 hours

\* The charging time is only for general reference. For detail of different charging time require, please see the PowerBase battery specification and contact PowerBase for the latest information.

**CAUTION**

- 1) Before using this charger, read all instructions and cautionary markings in this manual.
- 2) This charger is for indoor use only. Do not expose the charger to rain, snow or moisture.
- 3) Do not use an extension cord.
- 4) Do not use the charger if it has received a sharp blow, been dropped or damaged in any way.
- 5) Always disconnect the charger from wall outlet if attempting to clean or inspect the charger or batteries.
- 6) Do not try to disassemble the charger, take it to a qualified serviceman when service or repair is required. Incorrect reassembly may result in a risk of electric shock or fire.
- 7) Do not charge leaking, corroded or dead batteries.
- 8) Store the charger and batteries in a cool dry place when not in use. This charger is not intended for young children or infant.
- 9) Do not disassemble the batteries, short circuit or dispose of in fire.

**PLEASE NOTE:**

\*PowerBase Industrial (HK) Ltd. will not be responsible for any personnel loss and/or injury if the defect was caused by misuse or mishandling by the user in any way.  
 Recommended charging temperature is between 15 - 40 degree C.